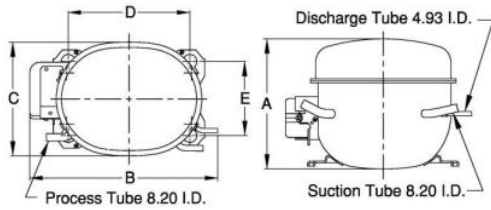


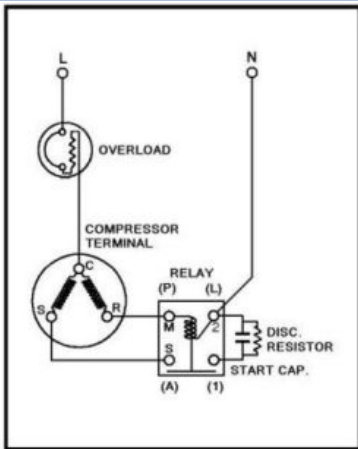


**PRINCIPAL DIMENSIONS - mm**



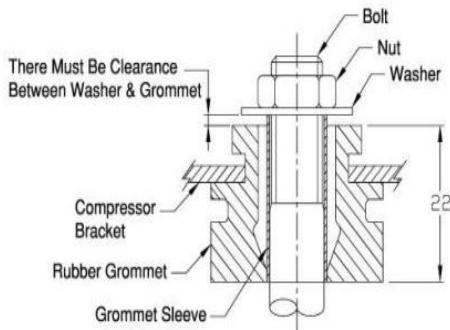
A: 212	B: 265	C: 155	D: 165	E: 102
--------	--------	--------	--------	--------

**SCHEMATIC WIRING DIAGRAM C.S.I.R.**



**SCHEMATIC WIRING DIAGRAM -**

**MOUNTING KIT**



Electrical : 220-240 V/50 Hz. 1 Phase

**Nominal Performance**

Capacity	270 / - Watts
	921 / - BTU/Hr
	232 / - Kcal/Hr
Power Input	255 / - Watts
Locked Rotor Amps	12.75 / - Amps
Max Continuous Current	- / - Amps
Rated Load Amps	2.00 / - Amps
COP	1.06 / - Watts / Watts
EER	3.61 / - BTU/W-Hr

**Testing Conditions**

Condensing Temperature	54.40 °C	129.9 °F
Evaporating Temperature	-23.30 / - °C	-9.9 / - °F
Liquid Temperature	32.20 °C	90.0 °F
Return Gas Temperature	32.20 °C	90.0 °F
Ambient Temperature	32.20 °C	90.0 °F

**Application**

Evaporating Temp. Range	LBP	@ -40.00 ° C to -12.20 ° C (-40.0° F to 10.0° F)
	Heat Pump	- ° C to - ° C (- ° F to - ° F)
Refrigerant	R134a	
Refrigerant Flow Control	Capillary Tube	
Compressor Cooling	Fan	

**Compressor and Motor data**

Compressor Type	Reciprocating
Displacement	14.14 cc.
Oil Type	Polyolester Oil
Oil Charge	350 cc.
Motor Type	C.S.I.R. ; 2 Pole 2,880 / - r/m
Voltage Range	187 - 264/- Volts 50/- Hz.
Winding Resistance at 25 ° C	
Start	22.38 Ohms
Run	5.73 Ohms
Weight with Oil	12.05 Kg.
Weight with Oil and Accessories	12.40 Kg.

**Electrical Components**

<b>Motor Protector</b>	
Type	External 3/4"
Model Number	KME 660-7/C
Open / Close	90-100 / 70-52 ° C
1st Cycle trip at 25 ° C	- Amps(main) 10.20 Amps(start)

**Motor Starter**

Type	Current Relay
Model Number	KME 684-1
Pick Up (max.)	6.40 Amps
Drop Out (min.)	5.60 Amps
Terminal Cover	KMD 901-12
Start Capacitor	36-43 µF 330 VAC.
Disch Resistor for Start Cap	15000 Ohms 2 W
Run Capacitor	No µF No VAC.

**Mounting Kit**

Rubber Grommet	KMD 905-3
Sleeve Grommet	KMD 903-2
Washer	KEB 387

Since we are constantly improving our product , the specification are subject to change without notice.

REV. DATE  
25-03-09

C / N No.  
0148/09

**Certificate Marks**

