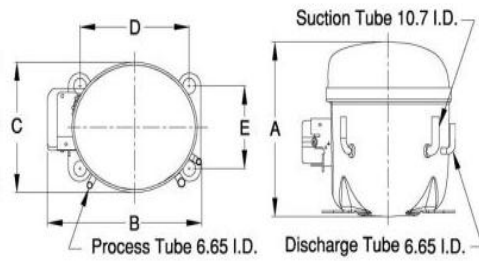


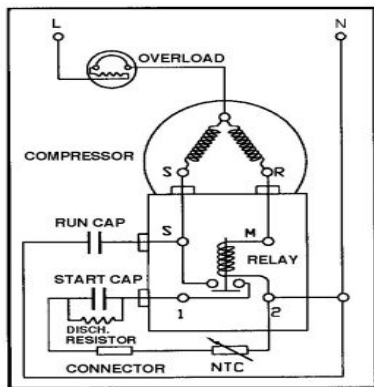


**PRINCIPAL DIMENSIONS - mm**



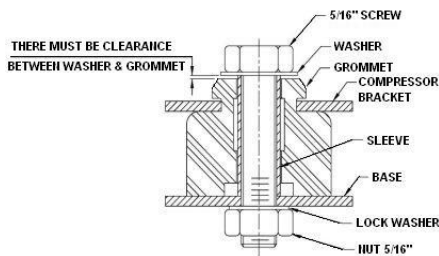
A: 215	B: 233	C: 160	D: 165	E: 102
--------	--------	--------	--------	--------

**SCHEMATIC WIRING DIAGRAM C.S.R.**



**SCHEMATIC WIRING DIAGRAM -**

**MOUNTING KIT**



Electrical : 220-240 V/50 Hz. 1 Phase

**Nominal Performance**

Capacity	1,830 / - Watts
	6,244 / - BTU/Hr
	1,574 / - Kcal/Hr
Power Input	796 / - Watts
Locked Rotor Amps	16.00 / - Amps
Max Continuous Current	- / - Amps
Rated Load Amps	3.90 / - Amps
COP	2.30 / - Watts / Watts
EER	7.84 / - BTU/W-Hr

**Testing Conditions**

Condensing Temperature	54.40 °C	129.9 °F
Evaporating Temperature	7.20 / - °C	45.0 / - °F
Liquid Temperature	46.10 °C	115.0 °F
Return Gas Temperature	35.00 °C	95.0 °F
Ambient Temperature	35.00 °C	95.0 °F

**Application**

Evaporating Temp. Range	HBP	@ -6.70 ° C to 12.70 ° C (19.9° F to 54.9° F)
	Heat Pump	- ° C to - ° C (-° F to -° F)
Refrigerant	R134a	
Refrigerant Flow Control	Capillary Tube	
Compressor Cooling	Fan (460 CFM)	

**Compressor and Motor data**

Compressor Type	Reciprocating
Displacement	20.00 cc.
Oil Type	Polyolester Oil
Oil Charge	417 cc.
Motor Type	C.S.R. ; 2 Pole 2,880 / - r/m
Voltage Range	187-264/- Volts 50/- Hz.
Winding Resistance at 25 ° C	
Start	8.57 Ohms
Run	3.82 Ohms
Weight with Oil	12.95 Kg.
Weight with Oil and Accessories	13.20 Kg.

**Electrical Components**

**Motor Protector**

Type	External 3/4"
Model Number	KME 664-12/C
Open / Close	100-110 / 70-52 ° C
1st Cycle trip at 25 ° C	- Amps(main) 20.40 Amps(start)

**Motor Starter**

Type	Current Relay
Model Number	KME 682-13NT
Pick Up (max.)	9.00 Amps
Drop Out (min.)	7.90 Amps
Terminal Cover	KMD 901-12
Start Capacitor	43-52 µF 330 VAC.
Disch Resistor for Start Cap	15000 Ohms 2 W
Run Capacitor	10 µF 440 VAC.

**Mounting Kit**

Rubber Grommet	KGM 905-2
Sleeve Grommet	KGM 903
Washer	KEB 387

Since we are constantly improving our product , the specification are subject to change without notice.

REV. DATE	C / N No.
15-12-14	0585/14

**Certificate Marks**

