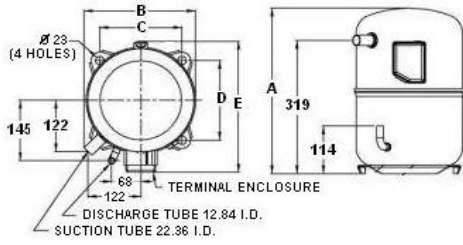


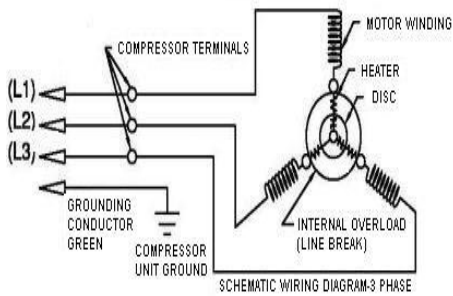


PRINCIPAL DIMENSIONS - mm



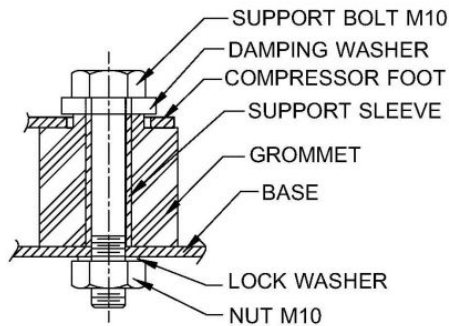
A: 399	B: 258	C: 190	D: 190	E: 313
--------	--------	--------	--------	--------

SCHEMATIC WIRING DIAGRAM 3 PHASE



SCHEMATIC WIRING DIAGRAM -

MOUNTING KIT



Electrical : 380-420 V/50 Hz., 440-460 V/60 Hz. 3 Phase

Nominal Performance

Capacity	16,999 / 20,516 Watts
	58,001 / 70,001 BTU/Hr
	14,617 / 17,641 Kcal/Hr
Power Input	5,466 / 6,618 Watts
Locked Rotor Amps	62.00 / 70.00 Amps
Max Continuous Current	- / - Amps
Rated Load Amps	9.94 / 10.50 Amps
COP	3.11 / 3.10 Watts / Watts
EER	10.61 / 10.58 BTU/W-Hr

Testing Conditions

Condensing Temperature	54.40 °C	129.9 °F
Evaporating Temperature	7.20 / - °C	45.0 / - °F
Liquid Temperature	46.10 °C	115.0 °F
Return Gas Temperature	35.00 °C	95.0 °F
Ambient Temperature	35.00 °C	95.0 °F

Application

Evaporating Temp. Range	HBP, A/C	@ 0.00 ° C to 13.00 ° C (32.0° F to 55.4° F)
	Heat Pump	- ° C to - ° C (-° F to -° F)
Refrigerant	R22	
Refrigerant Flow Control	Capillary tube/Expansion valve	
Compressor Cooling	Fan	

Compressor and Motor data

Compressor Type	Reciprocating
Displacement	115.00 cc.
Oil Type	Mineral Oil
Oil Charge	2,030 cc.
Motor Type	3 PHASE ; 2 Pole 2,850 / 3,450 r/m
Voltage Range	342-462/414-506 Volts 50/60 Hz.

Winding Resistance at 25 ° C

L1-L2	1.75 Ohms
L1-L3	1.75 Ohms
L2-L3	1.75 Ohms
Weight with Oil	44.00 Kg.
Weight with Oil and Accessories	44.40 Kg.

Electrical Components

Motor Protector	
Type	Internal Overload
Model Number	KKE 656-1
Open / Close	110-120 / 52-70 ° C
1st Cycle trip at 25 ° C	- Amps(main) 48.00 Amps(start)

Motor Starter

Type	-
Model Number	-
Pick Up (max.)	- Volts
Drop Out (min.)	- Volts
Terminal Cover	KLD 901
Start Capacitor	No µF No VAC.
Disch Resistor for Start Cap	-
Run Capacitor	No µF No VAC.

Mounting Kit

Rubber Grommet	KLD 905
Sleeve Grommet	KLD 903
Washer	-

Since we are constantly improving our product , the specification are subject to change without notice.

REV. DATE	C / N No.
17-02-11	0056/11

Certificate Marks

